

WHAT'S SO COOL ABOUT THE JABRA BT620s?

Bluetooth® stereo headset for mobile phones, music players, PCs and other Bluetooth devices

Excellent speakers with hi-fi frequency response

Easy transfer between music and talking on the phone using intuitive controls on headset

Music pauses/stops automatically when a call comes in*

Cool and comfortable behind-the-head neckband wearing style

STAND UP. BREAK OUT. GO FURTHER. RELEASE

YOUR

JABRA



Specifications

- Bluetooth stereo headset for music and mobile communications
- Hi-fi frequency speakers
- Music player controls on right speaker (play, pause, stop, prev./next track, FFWD, RWD)
- Phone controls on left speaker (answer/end/reject*/hold*/wait*/mute call, last number redial*, voice dialing*)
- Volume control on left speaker
- Digital sound enhancement via DSP technology
- Multi-colored LED for status on Bluetooth, battery and charging
- Up to 16 hours talk time – up to 14 hours music streaming
- Up to 240 hours standby time
- Complete with AC power supply and mini USB jack for charging from PC
- Headset can play music from the PC via USB cable while charging
- Weighs 3 1/2 oz (100 g)
- 2 extra ear cushions and carrying case included
- Pairs and connects to up to 2 Bluetooth devices simultaneously*
- Bluetooth 1.2 supporting A2DP (for music playing) and AVRCP profiles (for remote control), and headset and hands-free profiles

* Device dependent

Jabra
GN Mobile
700 East Butterfield Road, #150
Lombard, IL 60148
USA
Email: info@jabra.com
www.jabra.com

Jabra
BT 620s



Up to
16 hours
talk time

Up to
14 hours music
streaming

Striking
streamlined
design



Bluetooth stereo headset

RELEASE YOUR JABRA

Jabra

* Device dependent.

© 2006 Jabra, GN Mobile A/S (GN Netcom A/S). All rights reserved. Jabra® is a registered trademark of GN Mobile A/S (GN Netcom A/S). All other trademarks included herein are the property of their respective owners. The Bluetooth® word mark and logos are owned by the Bluetooth SIG, Inc. and any use of such marks by GN Mobile A/S (GN Netcom A/S) is under license. (Design and specifications subject to change without notice)

www.jabra.com



Jabra BT 620s



Lost in music – still in touch

Bringing hi-fi stereo music to your mobile phone

With the Jabra BT620s, you can get immersed in hi-fi stereo music straight from your mobile phone. Switch instantly between enjoying your music and talking on the phone. The music pauses/stops automatically when a call comes in* – so you can choose to answer the call, or just keep on grooving. So turn up the volume and get lost in music – without losing touch.

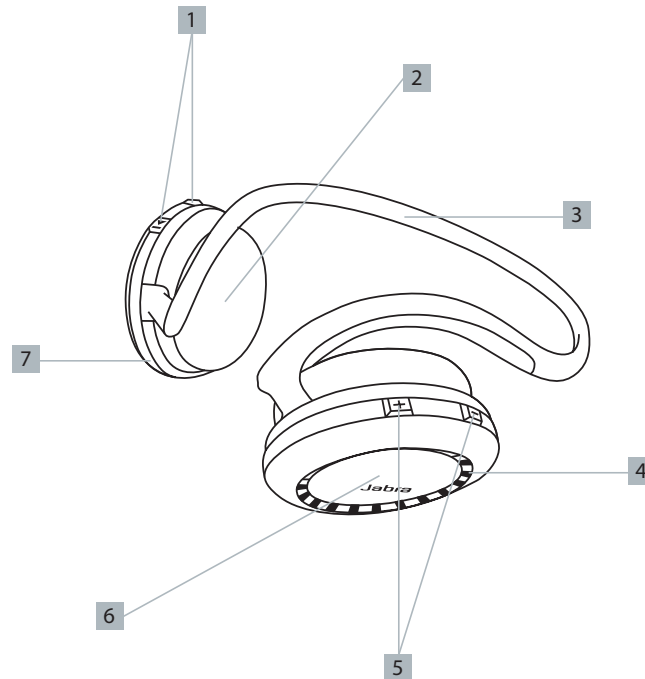
Unplugged stereo sound

The Jabra BT620s is one of the first wireless stereo headsets on the market, so you can enjoy the convenience of hands-free communication and mobile music without being tied up in wires. With two precision speakers, you'll be guaranteed the crystal clear sound reproduction you need to really get the most out of your favorite music. Offering up to 16 hours talk time or up to 14 hours wireless music streaming, you can move with your music more easily than ever.

Mix and match

One of the great things about the Jabra BT620s is that it can be used with various Bluetooth devices.** You can connect your Jabra BT620s with 2 devices, enabling music playing and phone connectivity at the same time. This means you never have to miss a call unless you want to, and you don't have to change your headset when you want to listen to music on another device.

Lost in music – still in touch. Release your Jabra.



1

Music controls
Standard music controls including play/pause/stop button, prev./next track/FFWD/RWD

2

Ear cushions
Soft and flexible for maximum comfort

3

Neckband
Stand-out style and secure fit

4

Light indicator (LED)
Shows status on Bluetooth, battery and charging

5

Volume up/volume down
Manage call volume and music volume without accessing source device

6

Phone controls
Intuitive phone controls, including answer/end call, reject*, hold* and mute

7

Multi-directional microphone
Ensures optimal voice pick-up

Quick start guide

Pairing the Jabra BT620s to a Bluetooth device

1. Charge your Jabra BT620s until the LED **4** turns green (fully charged)
2. Make sure the Jabra BT620s is switched off
3. To put the Jabra BT620s in pairing mode, press and hold the answer/end button **6** until the LED stops flashing and turns solid blue
4. Set your Bluetooth device to "discover" the Jabra BT620s (see your device user guide).
5. Press Yes or OK when asked if you want to pair with the Jabra BT620s
6. Enter passkey or PIN = 0000 (4 zeros), then press Yes or OK
7. Your device will confirm when pairing is complete and the LED on your headset will flash

Basic functions

Playing stereo music

Activate your music device and use the intuitive controls on the right hand side of the headset to manage your music.

Making a call

Just dial the number on your phone's keypad and press send. Once the call goes through it will automatically transfer to your headset*.

Answer a call while playing music

The music pauses/stops automatically when a call comes in*. Press the answer/end button and the call will connect.

* Device dependent. Please note: To benefit from all the features of the Jabra BT620s, your mobile phone or other Bluetooth device must support the following profiles: A2DP for advanced audio (stereo), AVRCP for remote control and Bluetooth headset and hands-free profiles. ** For example, it can be connected to a phone and a music player simultaneously or to a PC and a phone, etc., though not to two mobile phones.

Jabra