

SN-UL-AK20L-IND INDOOR EXTERNAL ANTENNA

Ceiling Mount Antenna for DuraFon Series

SN-UL-AK20L-IND



OVERVIEW

- Frequency Band : **863 ~ 930 MHz**
- Ceiling mount for indoor application

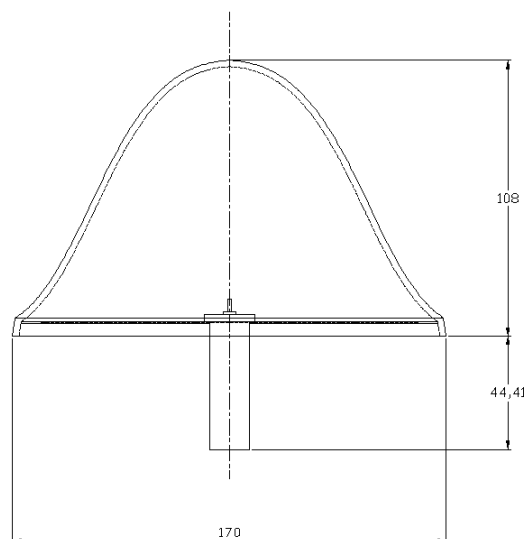
Specification

Electrical

Frequency	863 - 930MHz
Peak Gain	2.1 dBi@ 863~865 MHz 2.7 dBi@ 900~930 MHz
VSWR	2.0:1 (Max.)
Half Power Beam Width	83°±3°
Polarization	Linear, Vertical
Impedance	50 Ohm
Power Handling	10W (cw)
Connector	N Jack

Environmental & Mechanical Characteristics

Temperature	
Radome Color	White
Radome Material	ABS, UL94V0
Weight	
Dimensions	φ170 x 108 mm

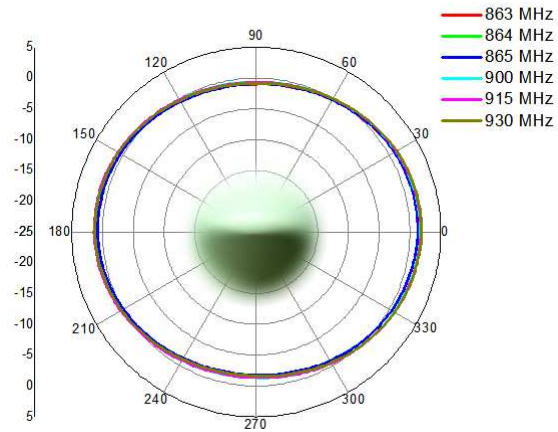


SN-UL-AK20L-IND
INDOOR EXTERNAL ANTENNA

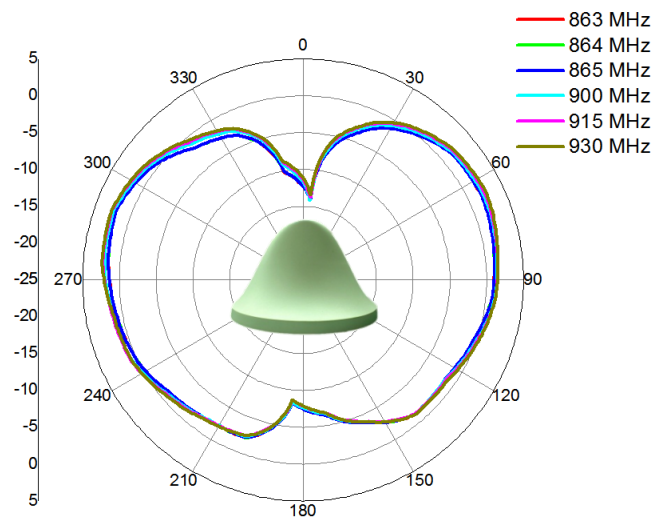
Ceiling Mount Antenna for DuraFon Series



H-Plane Pattern(X-Y Cut)



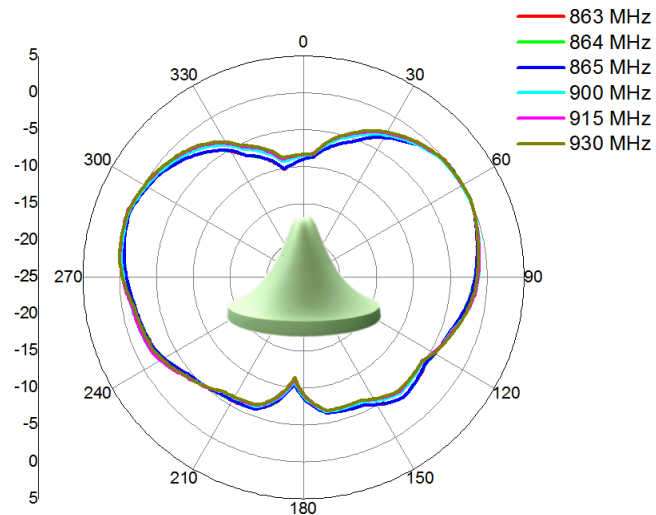
V-Plane Pattern(X-Z Cut)



SN-UL-AK20L-IND INDOOR EXTERNAL ANTENNA

Ceiling Mount Antenna for DuraFon Series

V-Plane Pattern(Y-Z Cut)



Test data

Tested device : FreeStyl 1

H/S used short antenna, Base located in center of 7F, connected in two conditions :

Installation-1 with original antenna		Installation-2 with SN-UL-AK20L-IND	
Test Point	HS RSSI	Test Point	HS RSSI
7F	-85	7F	-79
6F	-94	6F	-88
5F	-96	5F	-94
4F	-98	4F	-95
3F	-103	3F	-99
2F	-100	2F	-97
1F	-98	1F	-94
1F/B1	no link	1F/B1	-107

Application

1. Mainly for indoor usage, ex. 50,000~100,000 sq. ft. warehouse & retail store.
2. In order to get best performance, the recommended installation of SN-UL-AK20L-IND is ceiling mount, as high as possible.

SN-UL-AK20L-IND
INDOOR EXTERNAL ANTENNA

Ceiling Mount Antenna for DuraFon Series

