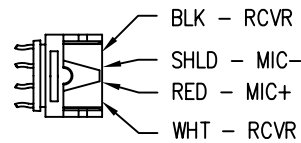
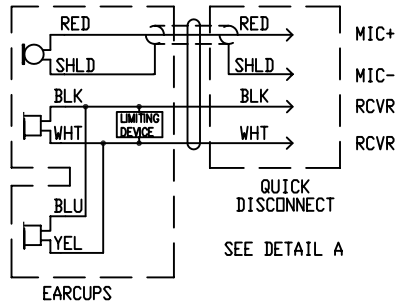
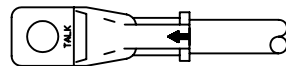


DWG NO. B-92083

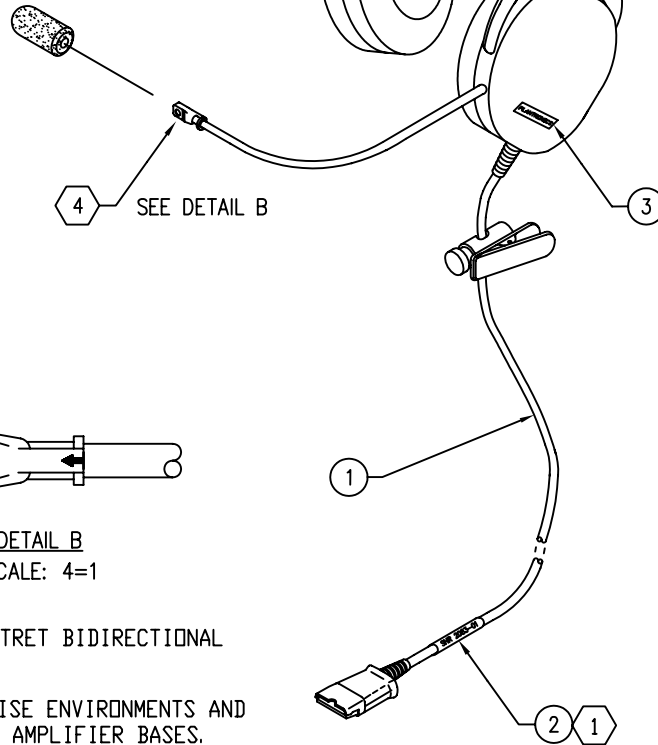
REVISION						
REV	DESCRIPTION	ECO NO.	DATE	BY	CHK'D	APP'D
D	ITEM 3 PN WAS S41020.		07/30/01	JB	ME	
E	MOVE BOM TO SEPARATE SHEET.		03/06/03	JB	ME	
F	MIC OUT. WAS "...OHMS WHEN POWERED...." CORRECT NOTES 2 & 4.		12/13/04	JB	GG	
G	CORRECT MIC TYPE (WAS "CARDIOD").		12/29/04	JB	BC	
H	CORRECT ERROR IN NOTE 4.		08/31/05	JB	ME	
J	CHANGE TO NEW LOGO.		01/30/06	JB	ME	



DETAIL A



DETAIL B  
SCALE: 4=1



FEATURES

MICROPHONE TYPE	BIDIRECTIONAL NOISE-CANCELLING ELECTRET; PLANTRONICS H-SERIES EQUIVALENT.
MICROPHONE OUTPUT	-39 ± 3.5 dBV/Pa ACROSS 3.32K OHMS AT 1 cm FROM THE LIP RING WHEN POWERED BY 1.8 Vdc THROUGH 3.32K OHMS (SEE DWG NO. 26667).
CAPSULE CABLE	30-INCH STRAIGHT.
CONNECTOR	PLANTRONICS H-SERIES QUICK-DISCONNECT.
COLOR	BLACK.
WARRANTY	TWO YEARS.

- ④ THIS UNIT IS EQUIPPED WITH AN ELECTRET BIDIRECTIONAL NOISE CANCELLING MICROPHONE.
- 3. THIS HEADSET IS FOR USE IN HIGH-NOISE ENVIRONMENTS AND IS COMPATIBLE WITH ALL PLANTRONICS AMPLIFIER BASES.
- 2. THIS IS A BINAURAL CIRCUMAURAL HEADSET WITH AN H-SERIES QUICK-DISCONNECT.
- ① IMPRINT THE MODEL NUMBER AND DATE CODE ON THE LABEL (ITEM 2). WRAP THE LABEL AROUND THE CABLE IN THE APPROXIMATE LOCATION SHOWN.

NOTES: (UNLESS OTHERWISE SPECIFIED)

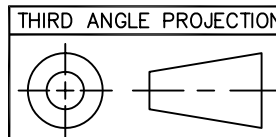
SEE SEPARATE BILL OF MATERIALS     MATING PART. SEE NOTE

## PLANTRONICS RESTRICTED

This document contains Plantronics, Inc. proprietary data, and is not to be copied, reproduced, used or divulged to unauthorized persons, in whole or in part, without proper authorization in writing from Plantronics. This information is the property of Plantronics, Inc. which reserves all rights to it.

UNLESS OTHERWISE SPECIFIED DIMENSIONS ARE IN: INCHES AND TOLERANCES ARE: DECIMAL .XX = ± .01 .XXX = ± .005 ANGLE = ± 2° FRACTION = ± 1/16	DO NOT SCALE DRAWN BY J. BAKER 12/18/98 CHECKED BY M. ERBE 12/18/98 DEV ENG APPD RMS 12/24/98 MFG APPD PROD ENG APPD	<p style="margin: 0;">TITLE MODEL</p> <p style="margin: 0; font-size: large;">SHR 2083-01</p>				
FINISH:	SCALE NONE	<table border="1" style="width: 100%; border-collapse: collapse;"> <tr> <td style="width: 25%;">SIZE B</td> <td style="width: 25%;">CAT CODE 01</td> <td style="width: 25%;">DWG NO. 92083-01</td> <td style="width: 25%;">REV. J</td> </tr> </table>	SIZE B	CAT CODE 01	DWG NO. 92083-01	REV. J
SIZE B	CAT CODE 01	DWG NO. 92083-01	REV. J			

SHEET 1 OF 1



## Special Products Packed-Level Bill of Materials

Model Number: SHR 2083-01

Part Number: 92083-01

Revision: J

Date: 01/30/06

Receiver Configuration: Binaural

Connector: Ultra Quick-Disconnect

Capsule Type: Ruggedized

Configuration:

Description: This headset is for use in high-noise environments and is compatible with all Plantronics amplifier bases.

[View Drawing](#) (only available when viewing BOM online in Word format)

ITEM	QTY	PLANTRONICS PART NUMBER	DESCRIPTION
1.	1	100486-01	CAPSULE & CABLE ASSEMBLY, BINAURAL, HEAVY DUTY
2.	1	28226-01	LABEL, MODEL NO. & DATE CODE
3.	2	22432-02	LABEL, PLANTRONICS
4.	1	46377-01	BOX, PACKING
5.	1	22854-01	LABEL, BOX
6.	1	40637-01	POUCH