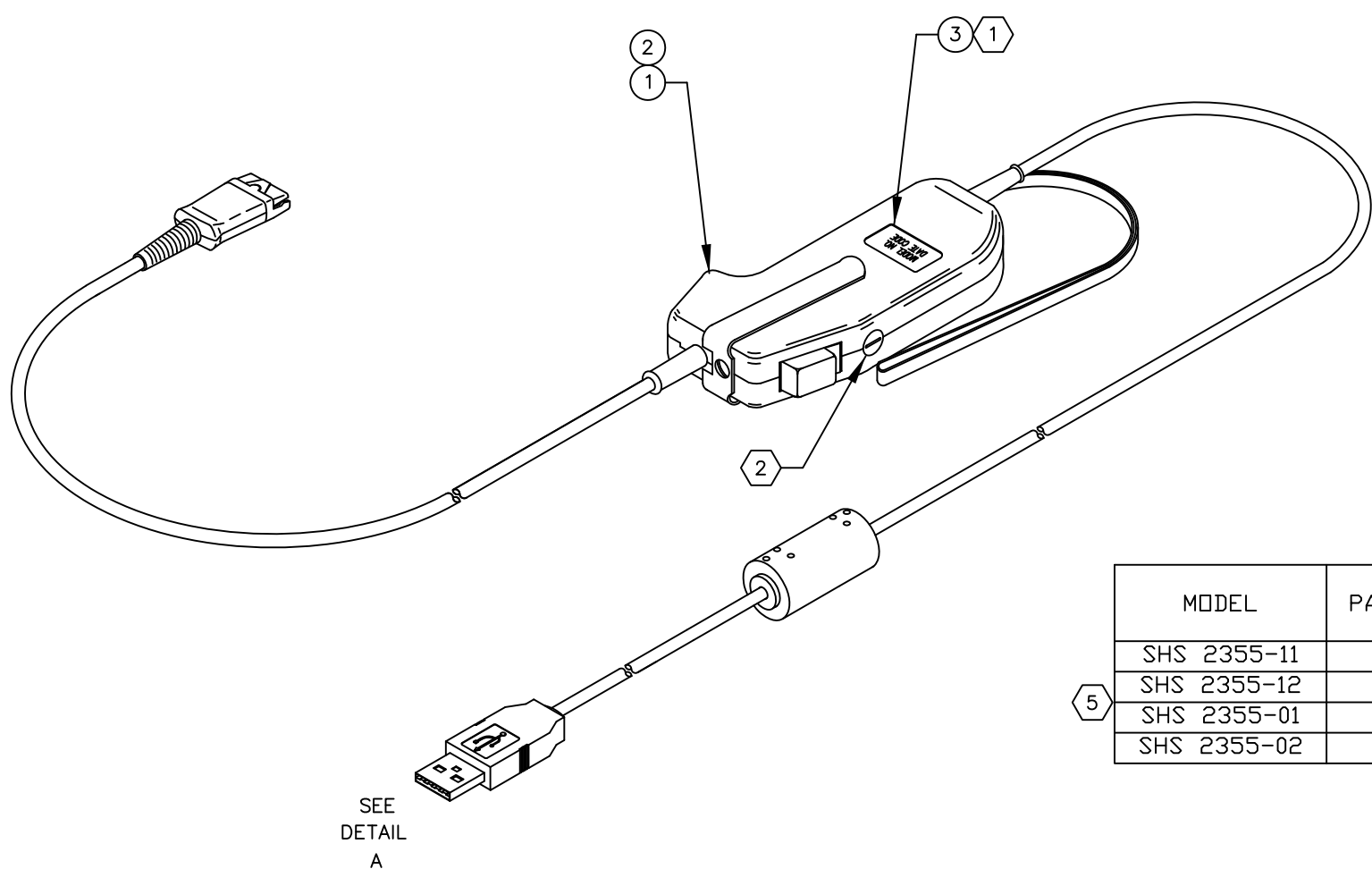


REVISION					
REV	DESCRIPTION	DATE	BY	CHKD	APPD
K	CHANGE TO NEW BORDER. ITEM 5 PN WAS 66107-01.	30-JAN-12	JB	ES	
L	REWRITE NOTE 3.	11-OCT-12	JB	BC	
M	REDRAW CONNECTOR. ADD DETAIL A.	20-JUN-13	JB	GG	
N	UPDATE BLOCK DIAGRAM FOR NEW PCBA.	23-JAN-17	BC	ME	
P	OBSOLETE -01 & -02; ADD -11 & -12	16-FEB-17	BC	ME	
R	UPDATE BOM ITEMS 5 & 7	22-MAR-18	ES	AM	



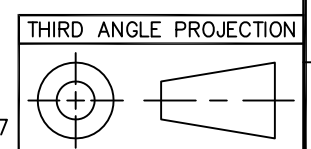
FEATURES	
APPLICATIONS	ALLOWS THE USE OF H-SERIES TOPS IN MONAURAL USB APPLICATIONS REQUIRING A PUSH-TO-TALK SWITCH.
PUSH-TO-TALK SWITCH	MOMENTARY OR LOCKING, SELECTABLE. (SEE NOTE 3)
CABLES	
CAPSULE	12-INCH STRAIGHT, WITH H-SERIES QUICK-DISCONNECT.
CONNECTOR	10-FT, STRAIGHT.
CONNECTOR	USB TYPE A.
COLOR	BLACK.
WARRANTY	ONE YEAR.

MODEL	PART NUMBER	ORDERING STATUS	SERIAL NO. EMBEDDED IN FIRMWARE	USB PROCESSOR	USB PRODUCT IDENTIFICATION (PID)
SHS 2355-11	92355-11	ACTIVE	NO	CONEXANT	FAA9
SHS 2355-12	92355-12	ACTIVE	YES	CONEXANT	FAA9
SHS 2355-01	92355-01	DISCONTINUED	NO	MICRONAS	FAA1
SHS 2355-02	92355-02	DISCONTINUED	YES	MICRONAS	FAA1

- 5 THE -11 AND -12 MODELS REPLACE THE -01 AND -02 MODELS RESPECTIVELY.
4. THE -12 MODEL FEATURES A UNIQUE SERIAL NUMBER HARD-CODED INTO THE DEVICE FIRMWARE.
3. THIS IS A SINGLE-CHANNEL USB HEADSET ADAPTER WITH A PUSH-TO-TALK SWITCH. THIS SWITCH ENUMERATES AS BUTTON 1 OF A SINGLE-BUTTON GAME CONTROLLER, WHOSE USE MUST BE INTERPRETED BY CUSTOMER SOFTWARE AS THE PTT "KEY/RELEASE/KEY" SIGNAL.
- 2 SET THE SELECTOR TO THE LOCKING POSITION.
- 1 IMPRINT THE MODEL NUMBER, DATE CODE, AND INDUSTRY CANADA REGISTRATION NO. 457A-P10SHS, IF REQUIRED, ON THE LABEL (ITEM 3) AND AFFIX ON AMPLIFIER HOUSING.

NOTES: (UNLESS OTHERWISE SPECIFIED)

REF 66900, 66757



SEE SEPARATE BILL OF MATERIALS MATING PART. SEE NOTE

PLANTRONICS RESTRICTED

This document contains Plantronics, Inc. proprietary data, and is not to be copied, reproduced, used or divulged to unauthorized persons, in whole or in part, without proper authorization in writing from Plantronics. This information is the property of Plantronics, Inc. which reserves all rights to it.

UNLESS OTHERWISE SPECIFIED DIMENSIONS ARE IN: INCHES AND TOLERANCES ARE:		DO NOT SCALE			
DECIMAL	.XX = ± .01 .XXX = ± .005 ANGLE = ± 2° FRACTION = ± 1/16	DRAWN BY	J. BAKER 08/10/04		TITLE
MATERIAL:		CHECKED BY	M. ERBE 08/10/04	SHS 2355-11, -12	
FINISH:		REV ENG APPD	RMS 08/10/04	SIZE	D
		MFG APPD		CAT CODE	01
		PROD ENG APPD		DWG NO.	92355-XX
				REV.	R
				SCALE	.75=1 AND AS NOTED
				SHEET	1 OF 1

DWG NO. D-92355