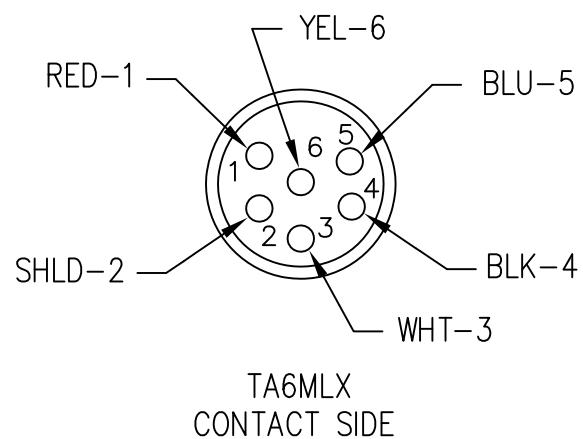
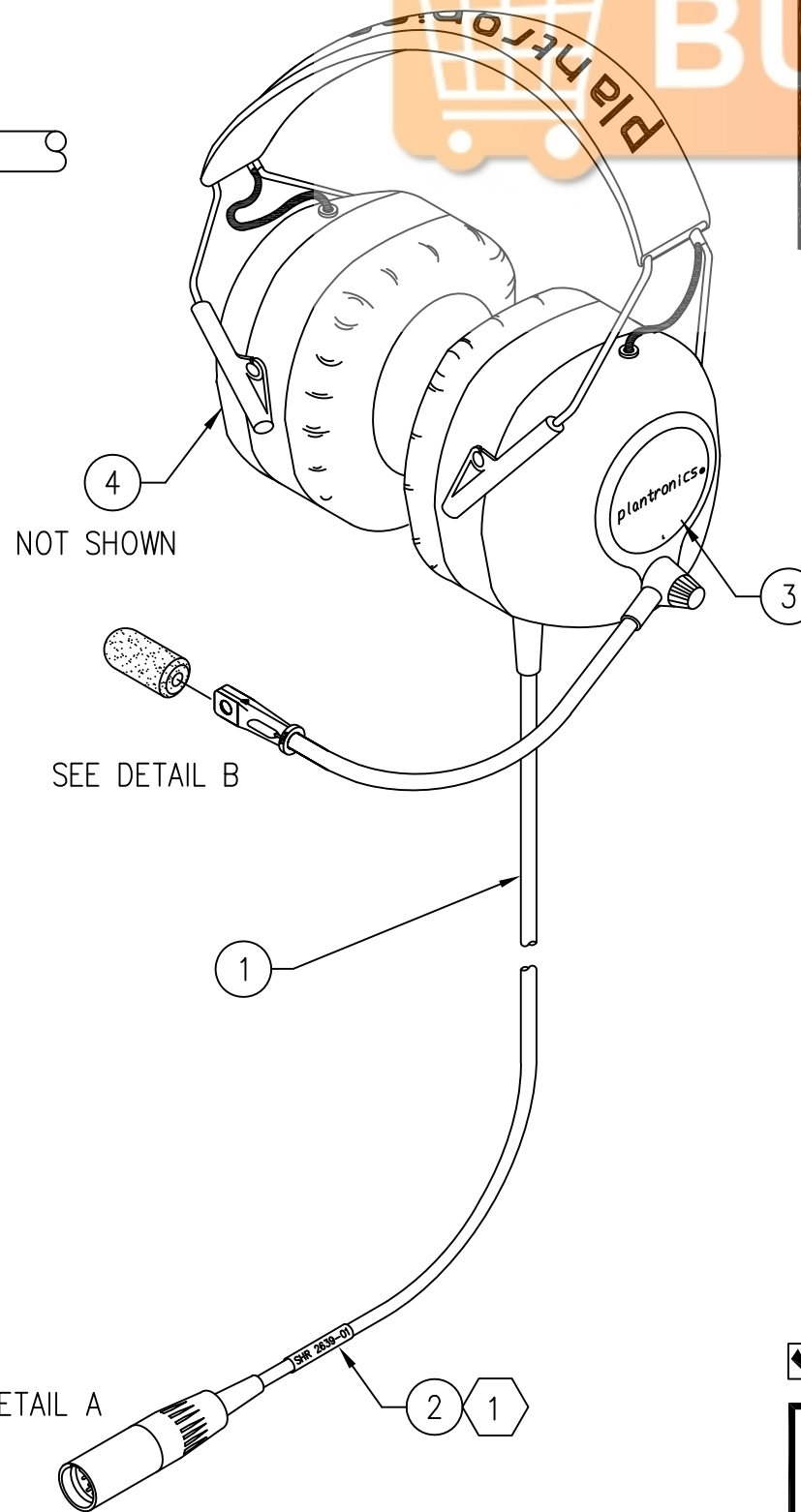


DETAIL B  
SCALE: 3=1



DETAIL A  
SCALE: 3=1

REVISION		DATE	BY	CHK'D BY
E	RCVR OUT. AMPLTD WAS "...THROUGH 300 OHMS."	27-FEB-13	JB	ME
F	ADD NEW CAPSULE LABELS.	06-MAR-13	JB	ES
G	ADD LOGO & RESISTOR, UPDATE SPECIFICATIONS AS PER 102731.	15-JUL-15	CS	ME
H	UPDATE BOM & WIRING: 3 WAS PN 89863-02 & 4 WAS PN 89863-01.	16-JUN-17	WE	RC
J	ADD ITEM 7 TO BOM	23-MAR-18	ES	AM

REFERENCE SPECIFICATIONS

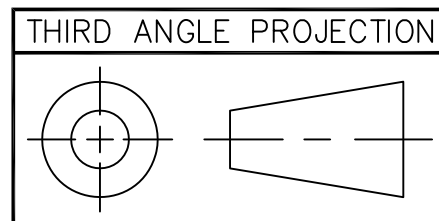
-AT 1 KHZ-

SENDING MICROPHONE TYPE	NOISE-CANCELLING ELECTRET, SUPERCARDIOD.
OUTPUT AMPLITUDE	-39.0 ± 3.5 dBV ACROSS 3.32K OHMS IN PARALLEL WITH 10 nF WHEN HELD AT ONE-QUARTER INCH FROM THE LIP RING OF A BRUEL AND KJAER TYPE 4227 MOUTH SIMULATOR BY FIXTURE 64085-01 FOR AN INPUT OF 0 dB Pa (94 dB SPL) AND A BIAS OF 1.8 Vdc THROUGH 3.32k OHMS PER DWG 26667.
RECEIVING OUTPUT AMPLITUDE	-12 dB Pa ± 5 dB (82.0 dB SPL ± 5.0 dB SPL) INTO AN IEC 318 COUPLER FITTED WITH A BRUEL & KJAER TYPE DB 0843 ADAPTER FOR AN INPUT OF -10.0 dBV THROUGH 150 OHMS.
INPUT IMPEDANCE	300 OHMS, NOMINAL.
AMPLITUDE LIMITING	PROVIDED BY A VARISTOR AT EACH TRANSDUCER.
CABLE	30 INCHES, STRAIGHT.
CONNECTOR	TA6MLX QUICK-DISCONNECT.
COLOR	BLACK.
WARRANTY	ONE YEAR.

SEE SEPARATE BILL OF MATERIALS     MATING PART. SEE NOTE

- 3 12.1KΩ RESISTOR SHALL BE INSTALLED ACROSS MICROPHONE CONNECTIONS.
- 2 THIS IS A RUGGEDIZED CIRCUMAURAL HEADSET DESIGNED FOR USE WITH PLANTRONICS DUAL-CHANNEL ADAPTERS.
- 1 IMPRINT THE MODEL NUMBER AND DATE CODE ON THE LABEL (ITEM 2). WRAP THE LABEL AROUND THE CABLE IN THE APPROXIMATE LOCATION SHOWN.

NOTES: (UNLESS OTHERWISE SPECIFIED)



**PLANTRONICS RESTRICTED**

This document contains Plantronics, Inc. proprietary data, and is not to be copied, reproduced, used or divulged to unauthorized persons, in whole or in part, without proper authorization in writing from Plantronics, Inc. which reserves all rights to it.

UNLESS OTHERWISE SPECIFIED DIMENSIONS ARE IN: INCHES AND TOLERANCES ARE: DECIMAL .XX = ± .01 .XXX = ± .005 ANGLE = ± 2° FRACTION = ± 1/16	DO NOT SCALE		
	DRAWN BY J. BAKER	03-DEC-09	
MATERIAL:	CHECKED BY M. ERBE	03-DEC-09	SHR 2639-01
FINISH:	DEV ENG APPD SERGIO ARCE	04-DEC-09	SIZE B
	MFG APPD		CAT CODE 01
	PROD ENG APPD		DWG NO. 92639-01
			REV. J
			SCALE 1=4 AND AS NOTED
			SHEET 1 OF 1