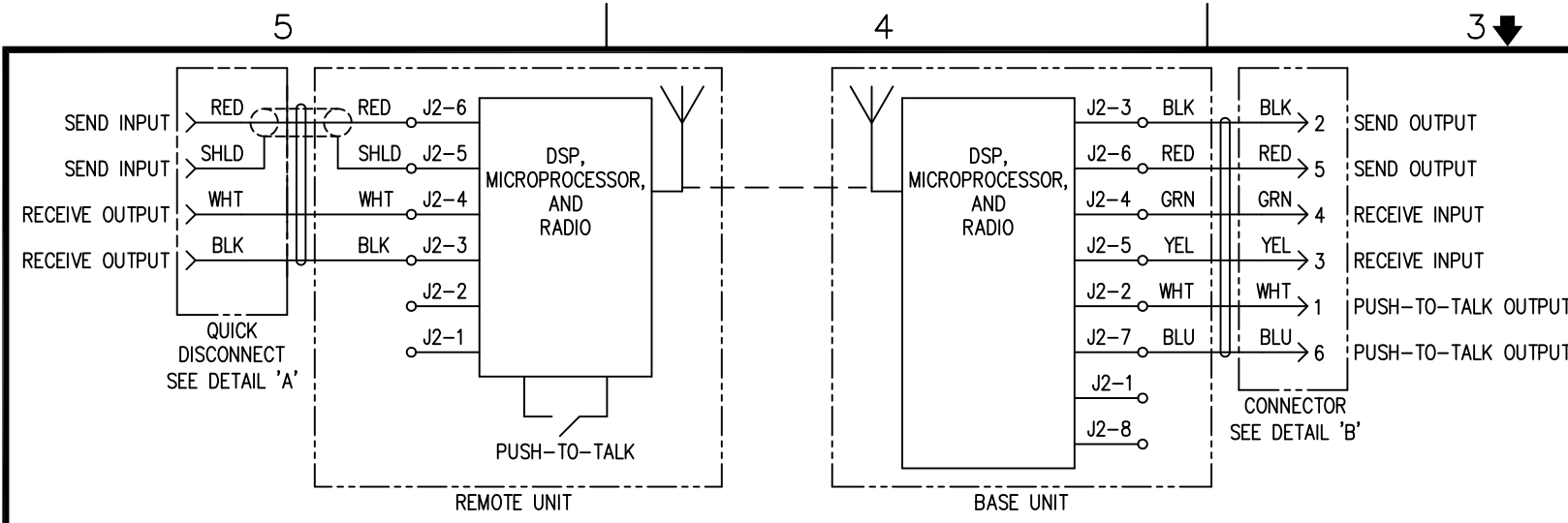


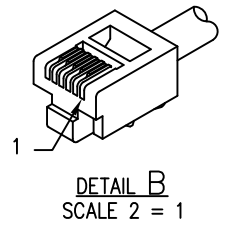
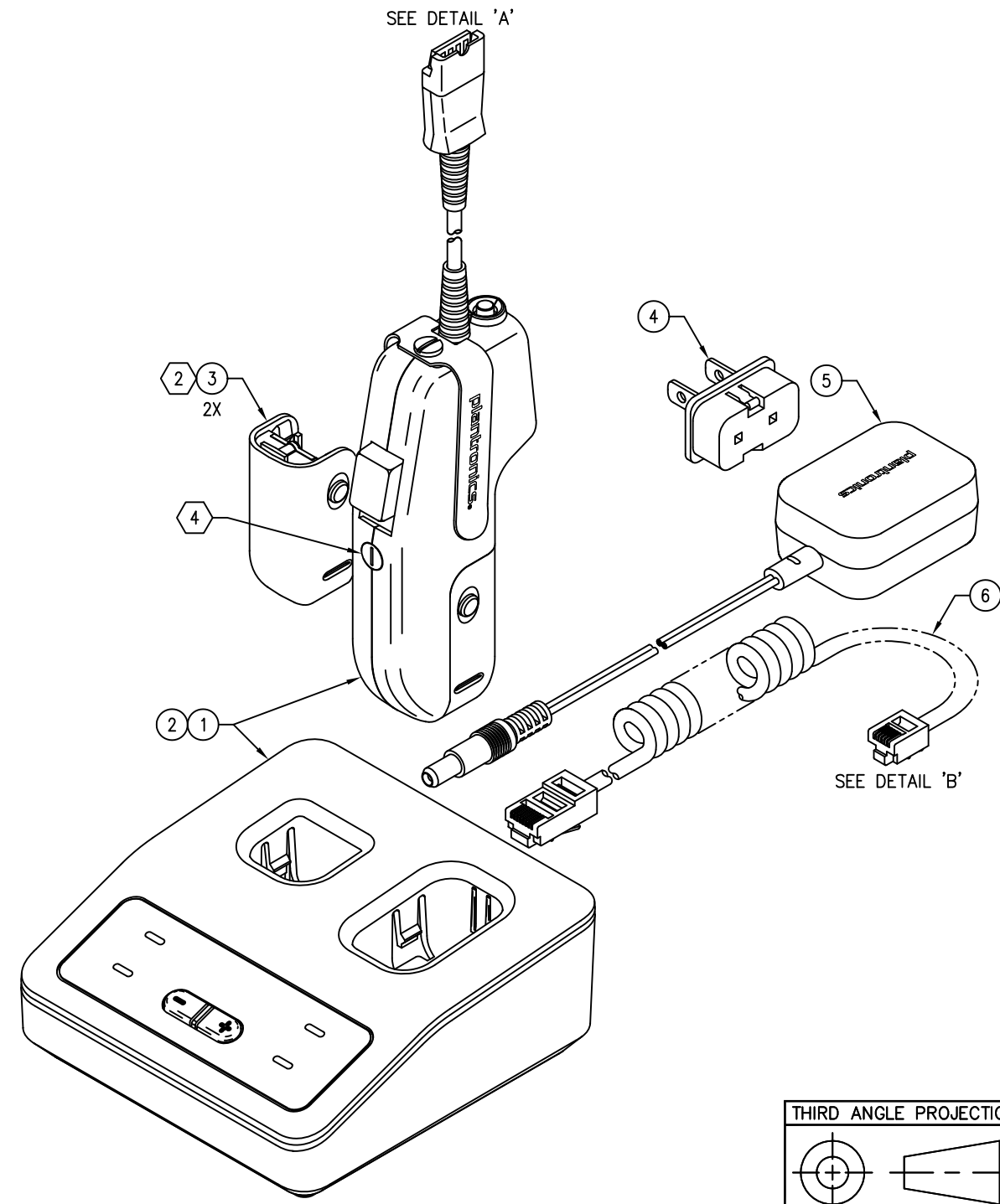
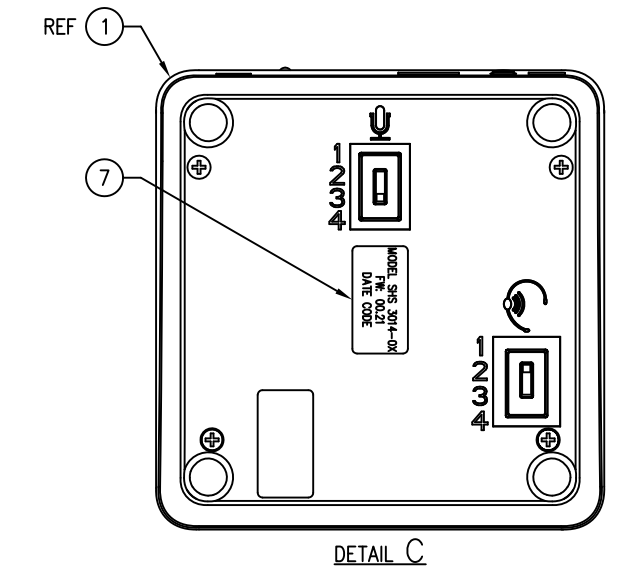
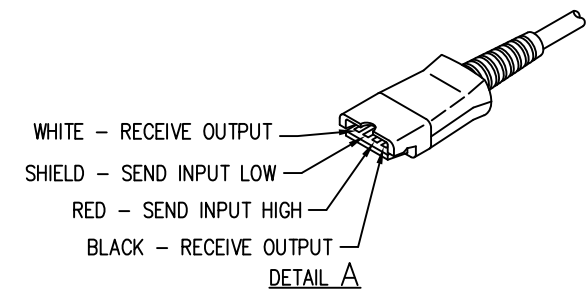
D
C
B
A



DASH NO.	RADIO STANDARD	RADIO SPECTRUM (GHz)	COLOR OF TALK-LEVEL AND MOMENTARY-LOCKING SELECTOR BUTTONS
01	DECT 6.0	1.92 TO 1.93	GRAY
02	DECT	1.88 TO 1.90	PURPLE

REV	DESCRIPTION	DATE	BY
01	PRELIMINARY.	21-APR-21	GG/AM
A	DELETE ITEMS 21, 22, 23, AND 24. RENUMBER ITEMS. RELEASE TO PRODUCTION.	16-DEC-21	GG/CS

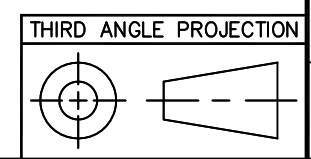
FEATURES	
APPLICATIONS	ALLOWS THE WIRELESS USE OF ANY PLANTRONICS H/HW-SERIES HEADSET IN CONTROLLER AND DISPATCH OPERATIONS.
CONTROLS	TALK-LEVEL SELECTORS, RECEIVE-LEVEL SELECTORS, SUBSCRIPTION BUTTON, LINK-CONTROL BUTTON, MOMENTARY-LOCKING SELECTOR, AND PUSH-TO-TALK SWITCH.
RECEIVING CONFIGURATION	SINGLE-CHANNEL.
ACCESSORIES INCLUDED	TWO BATTERIES AND AN ac ADAPTER FOR NORTH AMERICA, JAPAN, AND TAIWAN.
FREQUENCY SPECTRUM	SEE THE TABLE.
PUSH-TO-TALK SWITCH	MOMENTARY OR LOCKING, SELECTABLE.
CABLES	
HEADSET	12 INCHES.
CONSOLE-INTERFACE	10-FOOT (EXTENDED) COIL.
Ac ADAPTER	2 METERS.
CONNECTORS	
HEADSET CABLE	PLANTRONICS H/HW QUICK DISCONNECT.
CONSOLE-INTERFACE CABLE	SIX-POSITION MODULAR PLUG FOR AN RJ-11 JACK.
Ac ADAPTER	NORTH AMERICA, JAPAN, AND TAIWAN.
COLOR OF TALK-LEVEL AND MOMENTARY-LOCKING SELECTOR BUTTONS	SEE THE TABLE.
WARRANTY	ONE YEAR.



5. EACH OF THE TWO DASH NUMBERS IS A MODEL CA22CD-SC THAT IS EQUIPPED WITH A SIX-POSITION MODULAR CONNECTOR FOR AN RJ-11 JACK AND THAT CONFORMS TO ONE OR THE OTHER OF TWO RADIO STANDARDS. SEE THE TABLE.
4. SET THE MOMENTARY-LOCKING SELECTOR TO THE LOCKING POSITION.
3. APPLY A LITHIUM-BATTERY LABEL (ITEM 15) TO THE 3-PACK SHIPPING BOX OF EACH INDIVIDUAL UNIT (ITEM 13) AS WELL AS WHATEVER OVERPACK BOX WOULD BE USED TO GROUP THE INDIVIDUAL BOXES.
2. NEITHER BATTERY (ITEM 3) IS INSTALLED UPON THE REMOTE UNIT DURING SHIPMENT.
1. IMPRINT THE MODEL NUMBER, THE FIRMWARE VERSION OF '00.21,' AND THE DATE CODE UPON THE LABEL (ITEM 7) AND INSTALL THE LABEL IN THE LOCATION SHOWN IN DETAIL 'C.'

NOTES: (UNLESS OTHERWISE SPECIFIED)

SEE SEPARATE BILL OF MATERIALS MATING PART. SEE NOTE



PLANTRONICS RESTRICTED

This document contains Plantronics, Inc. proprietary data, and is not to be copied, reproduced, used or divulged to unauthorized persons, in whole or in part, without proper authorization in writing from Plantronics. This information is the property of Plantronics, Inc. which reserves all rights to it.

UNLESS OTHERWISE SPECIFIED DIMENSIONS ARE IN: INCHES AND TOLERANCES ARE: DECIMAL .XX = ± .01 .XXX = ± .005 ANGLE = ± 2° FRACTION = ± 1/16		DO NOT SCALE		plantronics.	
DRAWN BY G. GORDON 21-APR-21		CHECKED BY A. MANRIQUE 27-APR-21			
MATERIAL:		DEV ENGR APVD		TITLE MODEL	
FINISH:		MFG ENGR APVD		SHS 3014-01, -02	
		PROD ENGR APVD		SIZE CAT. CODE DWG NO.	REV
				D 01 93014-0X	A
				SCALE 1 = 1 AND AS NOTED SHEET 1 OF 1	

DWG NO. D-93014
A