

5

4

3

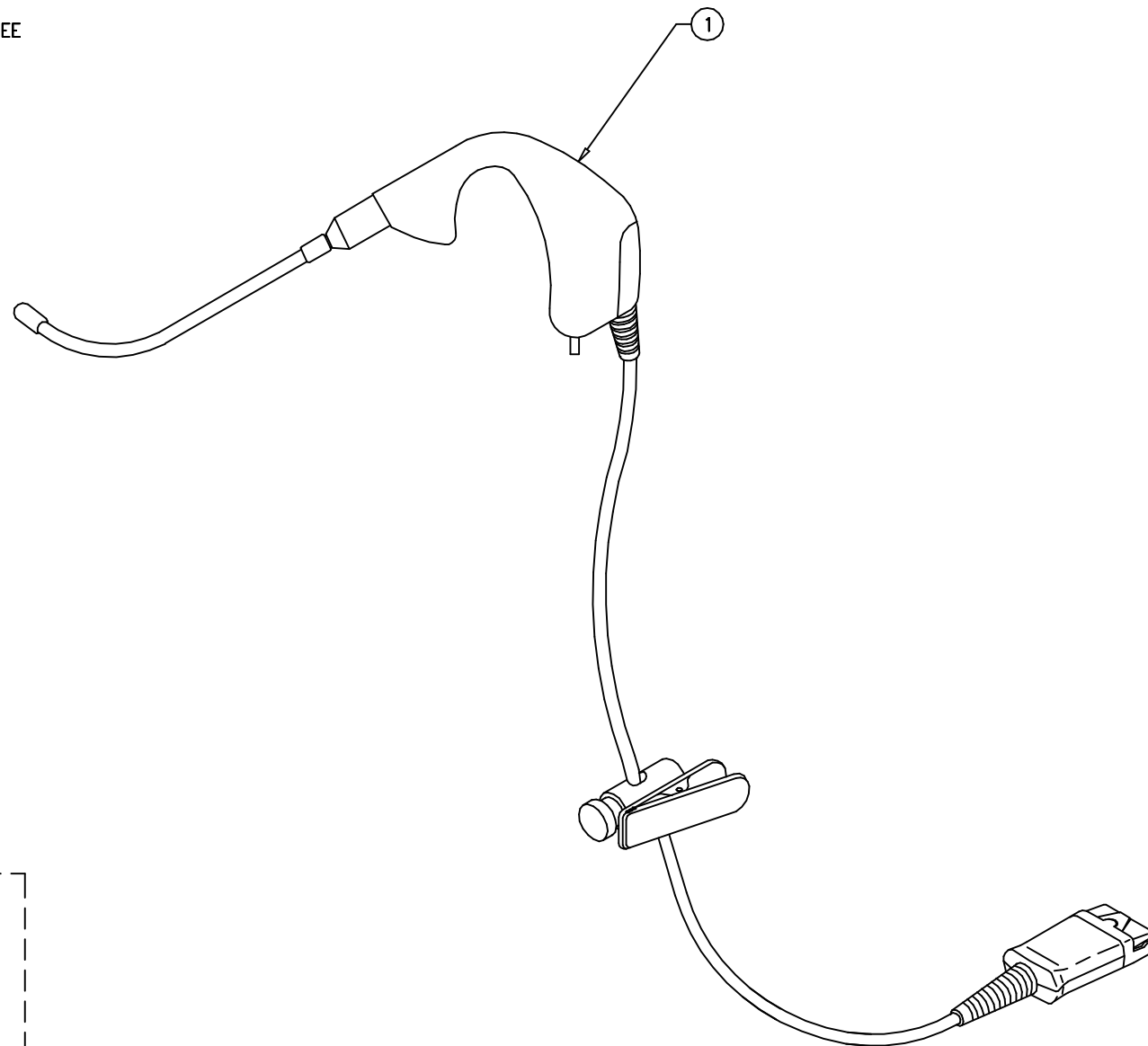
2

1

NOTES: (UNLESS OTHERWISE SPECIFIED)

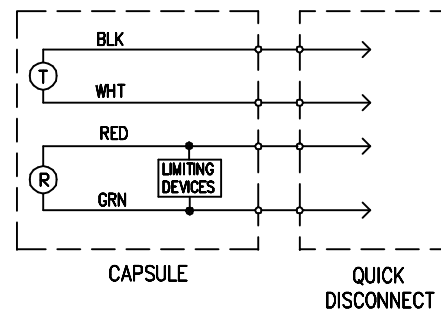
- 1. FOR ELECTRICAL CHARACTERISTICS SEE PRODUCT SPECIFICATION.
- 2. FOR A COMPLETE ILLUSTRATION OF ACCESSORIES AND PACKAGING SEE PACKING INSTRUCTIONS DRAWING.
- 3. FOR IMPRINTING AND PLACEMENT OF BAR CODE LABELS SEE IMPRINTING INSTRUCTIONS, BAR CODING.

REVISION		ECO NO.	DATE	BY	CHK'D
REV	DESCRIPTION				
A	PRODUCTION RELEASE	22501	09/16/98	CC	KW/BC



SPECIFICATIONS
OMNI-DIRECTIONAL MICROPHONE

QUICK DISCONNECT CABLE:
 CAPSULE CABLE _____ 32'
 COLOR _____ BLACK
 RECEIVER IMPEDANCE _____ 600 OHMS



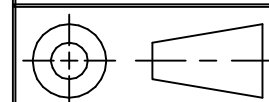
SEE SEPARATE BILL OF MATERIALS MATING PART. SEE NOTE

PLANTRONICS RESTRICTED

This document contains Plantronics, Inc. proprietary data, and is not to be copied, reproduced, used or divulged to unauthorized persons, in whole or in part, without proper authorization in writing from Plantronics. This information is the property of Plantronics, Inc. which reserves all rights to it.

UNLESS OTHERWISE SPECIFIED DIMENSIONS ARE IN: INCHES AND TOLERANCES ARE: DECIMAL .XX = ± .XXX = ± .XXXX = ± ANGLE = ± FRACTION = ± 1/16 MATERIAL: FINISH:	DO NOT SCALE	PLANTRONICS Santa Cruz, Ca. TITLE MODEL H31CD
	DRAWN BY C. CRAMER 09/16/98 CHECKED BY KW 09/16/98 REV ENG APP'D B. COOPER 09/16/98 MFG APP'D PROD ENG APP'D	

THIRD ANGLE PROJECTION



DWG NO. D-01-43674

5

4

3

2

1