

KONEXX Conference Konnector

OPERATING INSTRUCTIONS - IMPORTANT - PLEASE READ CAREFULLY

The KONEXX Conference Konnector connection device is used to connect a conferencing phone to digital or multi-line phone systems through the handset port of the digital or multi-line telephone instrument.

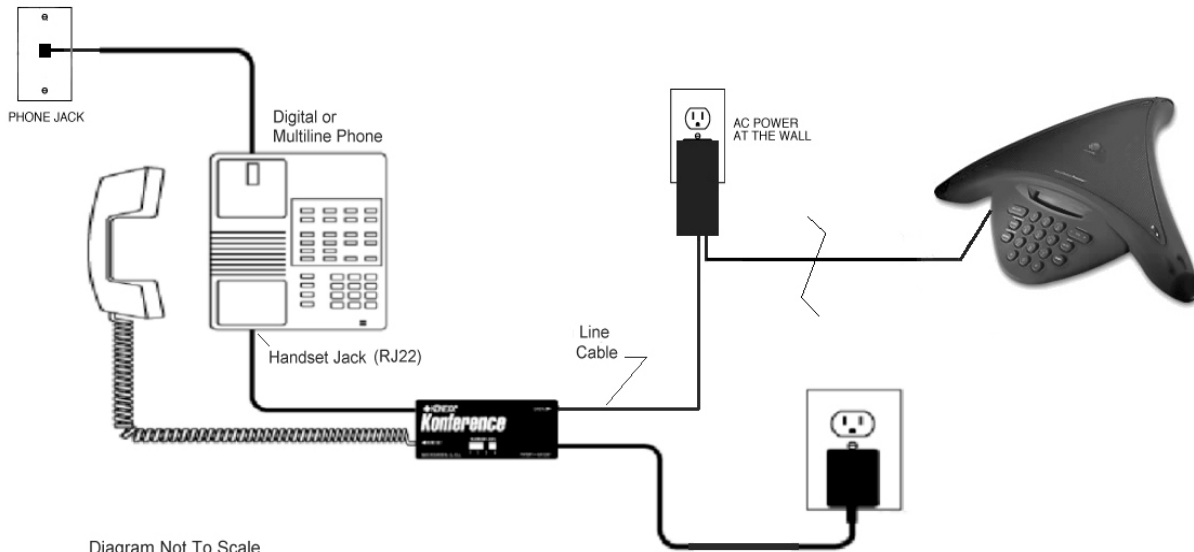


Figure 1: Typical Installation

1. Unplug the coiled handset cord from the telephone instrument.
2. Plug the short cord on the KONEXX into the handset jack on the telephone base (from which you just removed the coiled cord).
3. Plug the coiled cord from the handset into the KONEXX jack labeled "HANDSET".
4. Plug the telephone cord from the conference phone outlet labeled "Line" or "Wall" into the KONEXX jack labeled "DATA PORT".
5. Plug the AC adapter into the power jack on the end of the KONEXX product. The KONEXX Conference Konnector will not operate without the power supply.
6. Place the switch on the KONEXX to the #3 position. Your telephone can now be used in the normal manner. TRY YOUR TELEPHONE.
7. The "OUTPUT LEVEL" switch on the KONEXX product sets the signal level from your conference phone to the digital telephone and this switch must be set for the type of telephone instrument you are using. The "#2" position is the highest level and is used with telephones employing carbon microphones. Many of the older hotel/motel telephones are of this type, as are the majority of older standard telephones found in the home. When the "OUTPUT LEVEL" switch is set in a position where the level is too high, there will be feedback to the handset earpiece or conference phone. Feedback may appear as a buzz, tone or even a loud squeal. If feedback is present, move the "OUTPUT LEVEL" switch to the next lower setting until the feedback is eliminated. "OUTPUT LEVEL" sequence is 2-3-1-4 in descending order.



8. OPERATING WITH KONEXX KONFERENCE KONNECTOR:

- A. Prepare your conference phone for operation, set up to the point where all you must do is press the key to take conference phone "off hook".
- B. Using the digital or multiline telephone set, establish your call (make or answer the call).
- C. Once the call is established on the digital or multiline telephone set, take the conference phone "off-hook" (turn it on).
 - ☞ Leave your handset OFF THE CRADLE while communicating on the conference phone.

9. OPERATIONAL HINTS:

- A. Make sure your conference phone is taken "OFF HOOK" (turned on) once all parties are connected in the call.
- B. Make sure that your conference phone is in the "TONE DIAL" mode, not in the pulse dial mode.
- C. Make sure the telephone handset has been LIFTED OUT OF THE CRADLE.
- D. Remember that the KONEXX Konference Konnector must have the AC adapter connected in order to operate.
- E. The KONEXX Konference Konnector will not operate with telephones which have the dialer in the handset, such as Princess or Trimline phones. The electronics with which the Konference Konnector interacts are not accessible in these telephones.
- F. Remember that the KONEXX Konference Konnector disconnects the telephone handset microphone when the conference phone is "off-hook".

DIRECT QUESTIONS/SERVICE
INQUIRIES TO:

Konexx, Unlimited Systems Corp., Inc.
5550 Oberlin Drive
San Diego, CA 92121
Phone (858) 622-1400
Fax (858) 550-7330
Support@konexx.com



OUTPUT LEVEL SETTING CHART

MANUFACTURER	MODEL	SWITCH SETTING
Alcatel	None Specified	3
Avaya	Definity	3
Lucent	Destiny	3
or	Dimension	2 or 3
AT&T	Horizon	2
	ISDN	3
	Infinity	3
	Legend	3
	Merlin	3
	Merlin II	3
	Partner	3
	Spirit	3
	System 25	3
	System 75	3
	System 85	3
Comdial	Digitech	3
	Executech	3
	Impact	3
David Systems	None Specified	3
Eagle	None Specified	2
Ericcson	MD110	3
Executone	Encore CX	3
	IDS	3
	Model 228	3 -See Note 1
	Model 432	3 -See Note 1
	Key Systems	2 or 3
Fujitsu	Focus 196	See Note 2
	Others	4

MANUFACTURER	MODEL	SWITCH SETTING
Harris	Lanier	3
Hitachi	Digital Model 200	1
	HCX-5000	1
Intecom	IBX System	3
Intertel	Hitech	1
	MPK-2	1
	Axxess	3
	Others	1
Isoetec	Key systems	3
	Digital PBX	1
ITT	None Specified	2
Iwatsu	Omega	2
	Omega III	2 or 3
	Omega IV	1 or 4
Kokyo Co.	Kanda	1
Lanier	EKT - 220 (Elec. Key)	2
Lexar	Telex	See Note 2
Macrotel	None Specified	4
Mitel	Superset	2 or 3
	SX-200	3
NEC	Determ II	1 or 4
	Determ III	1 or 4
	Determ IV	1
	Electra	2 or 3
	Freedom	1
	Mark II	1
	Others	1

MANUFACTURER	MODEL	SWITCH SETTING
Nitsuko	Onyx	3
Northcom	Premier (NC-1648)	3
Nortel	Advantage	3
Or	Focus	2
Northern Telecom	Logic One	3
	Meridian SL1 & SL100	3
	Meridian 1	3
	Norstar	3
	Unity	2 or 3
	Vantage	3
Panasonic	KXT series	3
	DBS	2 or 3
	Others	3
Phillips	None Specified	1 or 4
Premier	Digital	1 or 4
Siemens Rolm	Model 120	1 or 4
	Model 240	1 or 4
	Model 400	1 or 4
	Model 600	1 or 4
	Others	1 or 4
Other Siemens	Dyad	See Note 2
	Dyad Jr.	See Note 2
	HCM-600	3
	HCM-200	3
	Hicom Digital	1
	Saturn Digit 260	See Note 2



OUTPUT LEVEL SETTING CHART continued

MANUFACTURER	MODEL	SWITCH SETTING
Southwestern Bell	Freedom Phone-Older	3
	Freedom Phone-Newer	1 or 4
SRX	Vision Phone	2
Tadiran	EKT 221	3 - See Note 1
	Emerald	4
	Coral I & II	4
	Others	3 - See Note 1
Telrad	Model 816	4
	Model 2464	4
	Symphony	4
	Digital (818)	4
	Others	4
TIE	Business Comm	2
	Datastar	2
	DCX	2
	Meritore	2
	Onyx	3
	TC22	2
	EX2260	2
	Ultracom CX	2
Keyset 9	2	

MANUFACTURER	MODEL	SWITCH SETTING
Toshiba	EKT 2000 series	2
	EKT 3000 series	2
	EKT6000 series	3 or 4
	Perception	3
	Strata (Key system)	2
	Strata (Digital)	1 or 3
Trillium	103 series	2 or 3
	Panther	2 or 3
	Talkto 616	2
Vodavi	Electronic Key System	3 - See Note 1
Walker	Marathon	1 or 4
	Poet	1

Notes:

1. The indicated telephone set may require a custom setting (performed by Konexx) to optimize the audio level from the conference phone to the remote parties.
2. The indicated telephone has "Non-Standard" handset wiring, which requires an adapter cable. Contact Konexx if you have one of these telephones.