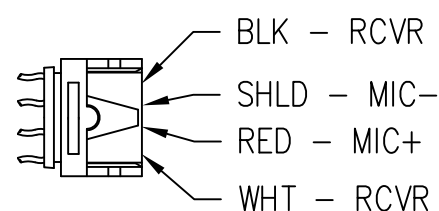
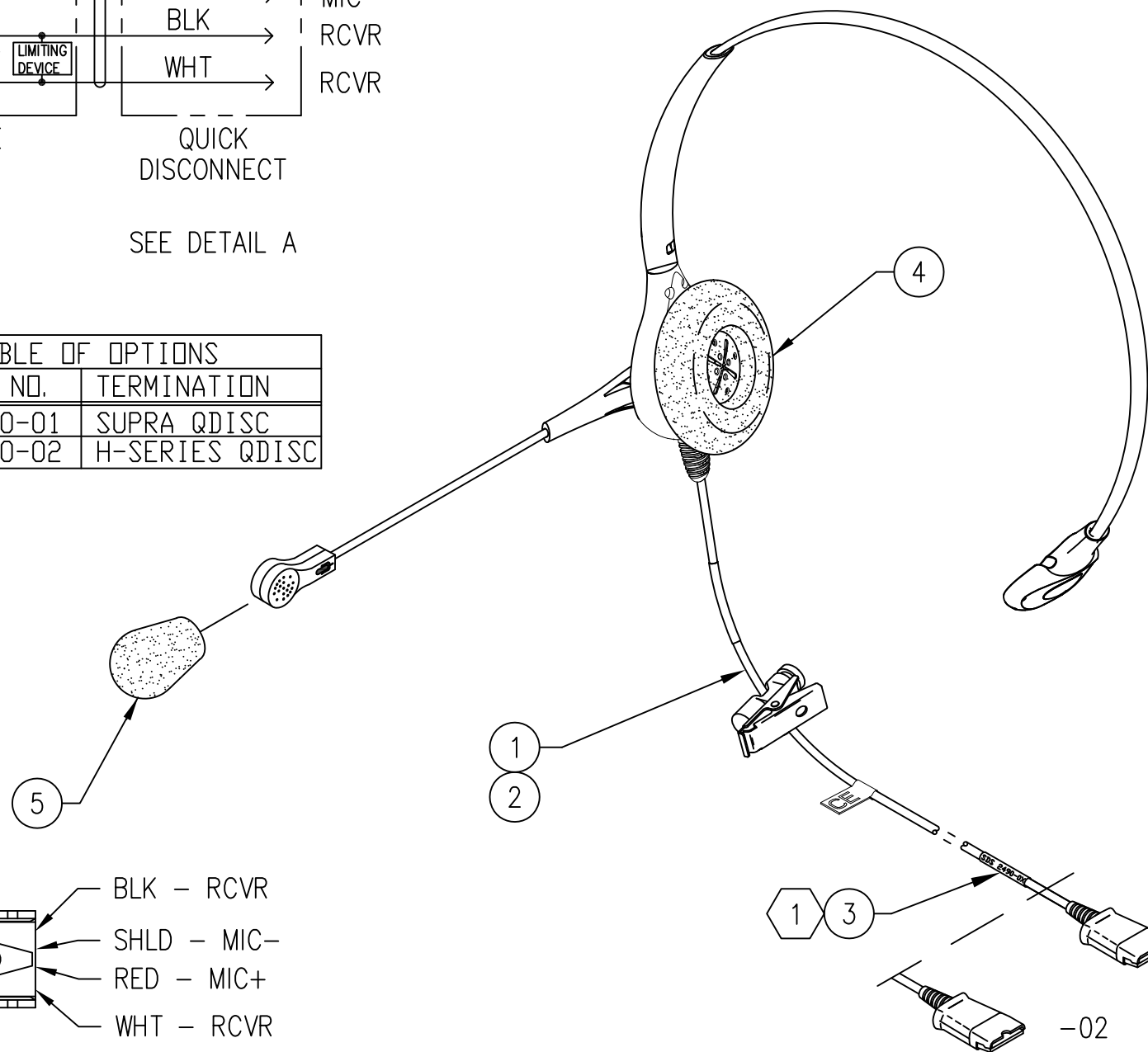


SEE DETAIL A

TABLE OF OPTIONS	
DWG NO.	TERMINATION
92490-01	SUPRA QDISC
92490-02	H-SERIES QDISC



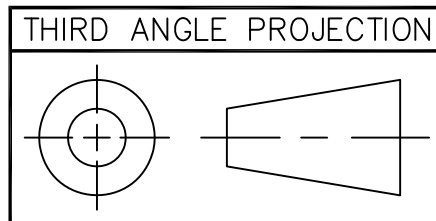
DETAIL A

2. THIS MODEL, WHICH IS EQUIPPED WITH A DYNAMIC MICROPHONE, IS NOT ELECTRICALLY COMPATIBLE WITH PLANTRONICS AMPLIFIER BASES.

1 IMPRINT THE MODEL NUMBER AND DATE CODE ON THE LABEL (ITEM 3). WRAP THE LABEL AROUND THE CABLE IN THE APPROXIMATE LOCATION SHOWN.

NOTES: (UNLESS OTHERWISE SPECIFIED)

REF 79396



REVISION				
REV	DESCRIPTION	DATE	BY	CHK'D BY
E	CORRECT DESCRIPTION OF ITEM 2 ON BOM. CHANGE TO NEW BORDER.	10-NOV-11	JB	ME
F	ITEM 7 PN WAS 66107-01.	15-MAY-12	JB	ES
G	IN TABLE, "H-SERIES" WAS "ULTRA."	18-OCT-12	JB	ES

FEATURES

MICROPHONE TYPE	DYNAMIC.
TRANSMITTER IMPEDANCE	150 OHMS, NOMINAL.
RECEIVER LIMITING	PROVIDED BY A LIMITING DEVICE ACROSS THE RECEIVER.
RECEIVER CONFIGURATION	MONAURAL.
RECEIVER IMPEDANCE	150 OHMS, NOMINAL.
CABLE CAPSULE	30 INCHES.
CONNECTOR	SEE TABLE.
COLOR	BLACK.
WARRANTY	TWO YEARS.

SEE SEPARATE BILL OF MATERIALS MATING PART. SEE NOTE

PLANTRONICS RESTRICTED

This document contains Plantronics, Inc. proprietary data, and is not to be copied, reproduced, used or divulged to unauthorized persons, in whole or in part, without proper authorization in writing from Plantronics, Inc. which reserves all rights to it.

UNLESS OTHERWISE SPECIFIED DIMENSIONS ARE IN: INCHES AND TOLERANCES ARE: DECIMAL .XX = ± .01 .XXX = ± .005 ANGLE = ± 2° FRACTION = ± 1/16	DO NOT SCALE			
	DRAWN BY J. BAKER	14-JAN-09		
MATERIAL:	CHECKED BY ED SCHEBER	14-JAN-09	SDS 2490-01,02	
FINISH:	DEV ENG APPD SERGIO ARCE	19-JAN-09	SIZE B	CAT CODE 01
	MFG APPD		DWG NO. 92490-0X	REV. G
	PROD ENG APPD		SCALE 1=2 SHEET 1 OF 1	

Special Products Packed-Level Bill of Materials

Model Number: SDS 2490-01,-02

Part Number: 92490-0X

Revision: G

Date: 18-Oct-12

Receiver Configuration: Monaural

Connector: -01: Supra QDISC; -02: H-Series QDISC

Capsule Type: SupraPlus Dynamic

Configuration:

[View Drawing](#) (only available when viewing BOM online in Word format)

ITEM	QTY -01	QTY -02	PLANTRONICS PART NUMBER	DESCRIPTION
1.	1	---	102281-01	CAPSULE & CABLE ASSY, SUPRAPLUS DYNAMIC, MONAURAL, MODIFIED
2.	---	1	79396-03	CAPSULE/CABLE ASSY, SUPRAPLUS DYNAMIC, NC, MONAURAL
3.	1	1	28226-01	LABEL, MODEL NO. AND DATE CODE
4.	1	1	27604-02	EAR CUSHION
5.	1	1	24000-01	WINDSCREEN
6.	1	1	76624-02	USER'S GUIDE, SUPRAPLUS
7.	1	1	85444-01	BOX, UNIVERSAL
8.	1	1	40637-01	POUCH
9.	REF	REF	79410-00	SUPRAPLUS DYNAMIC PERFORMANCE SPECIFICATION