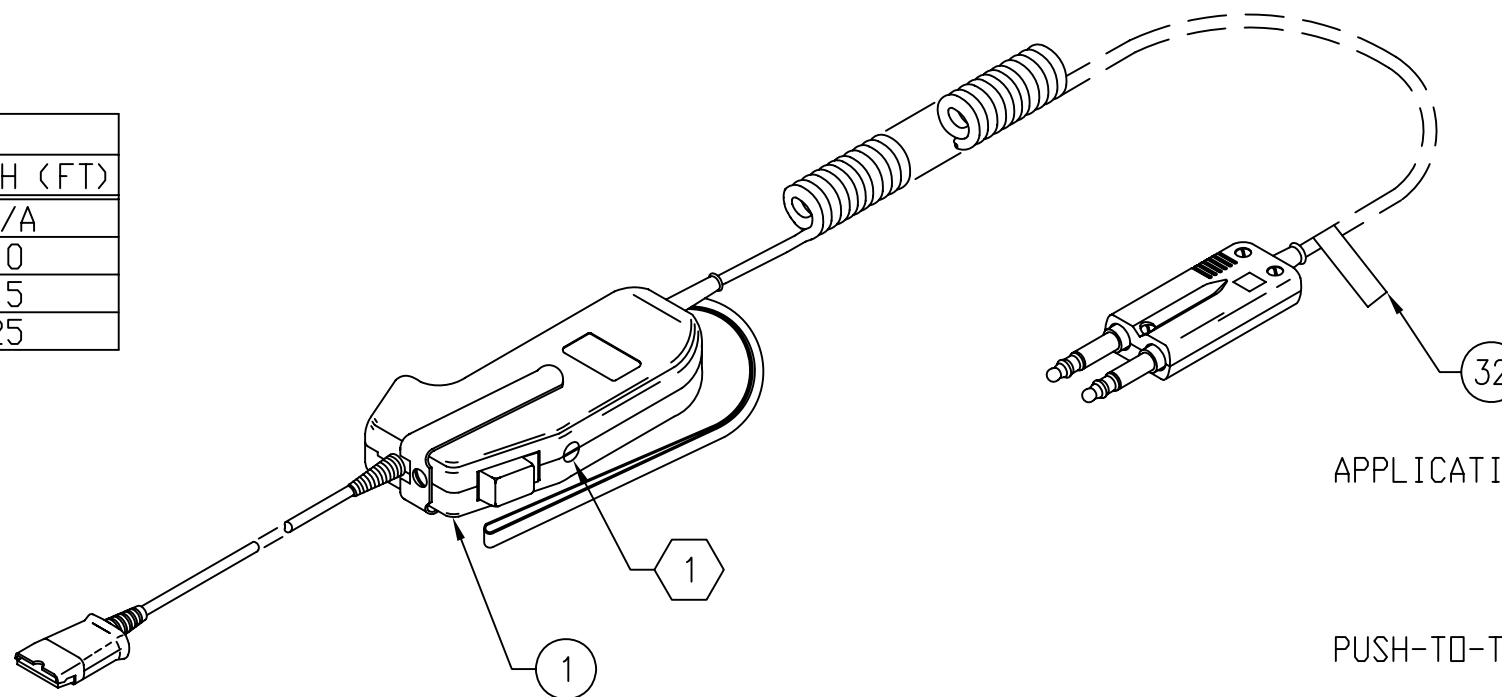


NOTES: UNLESS OTHERWISE SPECIFIED.

- 1 SET THE SELECTOR TO THE LOCKING POSITION.
- 2. THIS IS A 6-WIRE PUSH-TO-KEY AMPLIFIER WITH A PLANTRONICS ULTRA QUICK-DISCONNECT.

REVISION					
REV	DESCRIPTION	ECO NO.	DATE	BY	ENGR APP'D
A	PRODUCTION RELEASE	24669	09-MAY-01	CC	BC
B	ADD INDUSTRY CANADA LABEL	32314	22-MAR-07	SE	SE

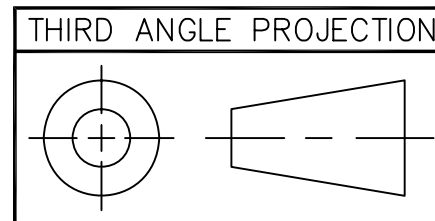
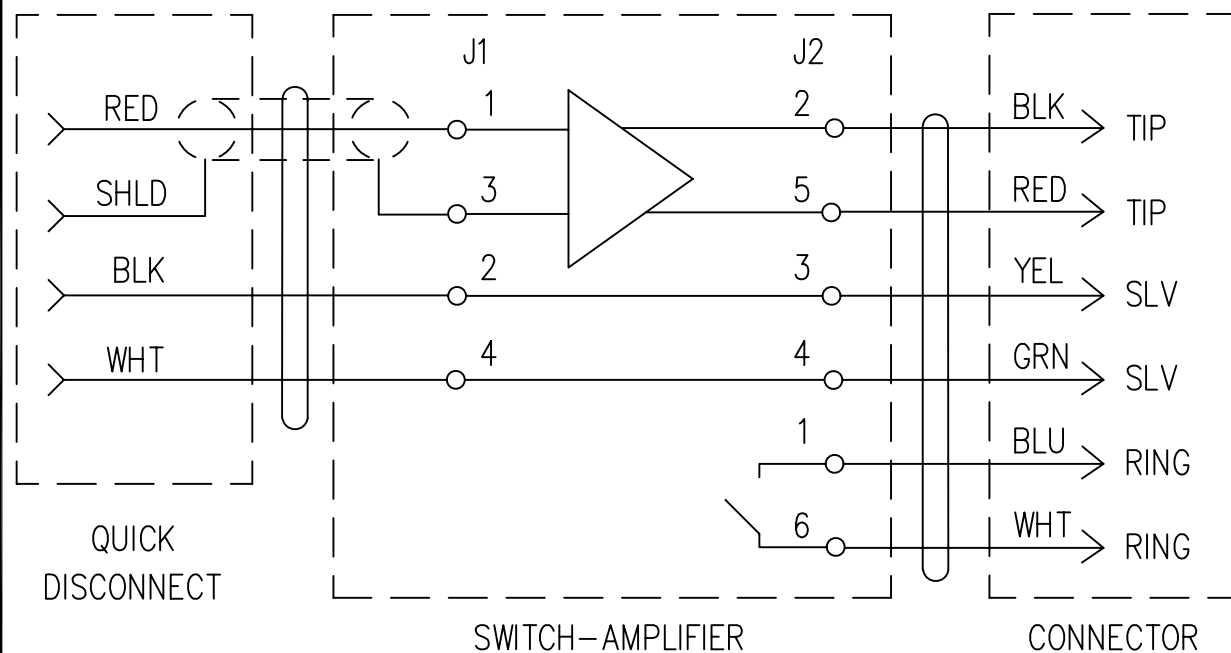
CONN CABLE LENGTHS (EXTENDED)		
MODEL	DASH NO.	LENGTH (FT)
ASSOCIATED DRAWING	-DWG	N/A
SHS 1890-10	-10	10
SHS 1890-15	-15	15
SHS 1890-25	-25	25



FEATURES

APPLICATIONS	ALLOWS THE USE OF ANY PLANTRONICS H-SERIES TOP IN STANDARD CONTROLLER AND DISPATCH OPERATIONS.
PUSH-TO-TALK SWITCH	MOMENTARY OR LOCKING, SELECTABLE.
CABLES	
CAPSULE	12-INCH STRAIGHT WITH ULTRA QUICK-DISCONNECT.
CONNECTOR	SEE TABLE.
CONNECTOR	ADC PJ-7 OR EQUIVALENT.
COLOR	BLACK.

SEE SEPARATE BILL OF MATERIALS



## PLANTRONICS RESTRICTED

This document contains Plantronics, Inc. proprietary data, and is not to be copied, reproduced, used or divulged to unauthorized persons, in whole or in part, without proper authorization in writing from Plantronics, Inc. which reserves all rights to it.

UNLESS OTHERWISE SPECIFIED DIMENSIONS ARE IN: INCHES AND TOLERANCES ARE: DECIMAL .XX = ± .01 .XXX = ± .005 ANGLE = ± 2° FRACTION = ± 1/16	DO NOT SCALE DRAWN BY <b>C. CRAMER 09-MAY-01</b> CHECKED BY DEV ENG APPD MFG APPD PROD ENG APPD	TITLE  MODEL <b>SHS 1890-10,15,25</b>
MATERIAL: FINISH:	SIZE <b>B</b>	CAT CODE <b>01</b>
DWG NO. <b>60825-DWG</b>		REV. <b>B</b>
SCALE 1:-		SHEET 1 OF 1