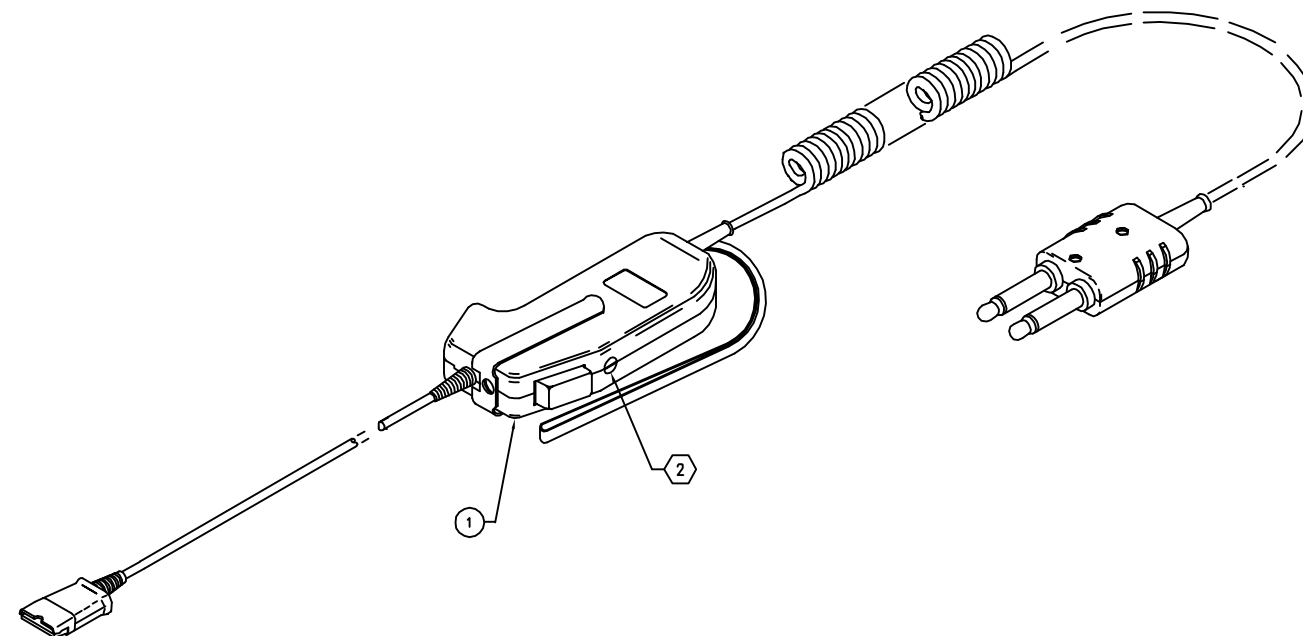


CONN CABLE LENGTHS (EXTENDED)		
DWG NO.	MODEL	LENGTH
91892-10	SHS 1892-10	10 FT
91892-15	SHS 1892-15	15 FT
91892-25	SHS 1892-25	25 FT

REVISION					
REV	DESCRIPTION	ECO NO.	DATE	BY	CHK'D BY
A	PRODUCTION RELEASE. BASE ON 45710 PWB ASSY.		05/03/01	JB	BC
B	MOVE BOM TO SEPERATE SHEET.		01/28/02	JB	BC

FEATURES



APPLICATIONS

ALLOWS THE USE OF ANY PLANTRONICS H-SERIES TOP IN FOUR-WIRE APPLICATIONS REQUIRING A PUSH-TO-TALK SWITCH.

PUSH-TO-TALK SWITCH

MOMENTARY OR LOCKING, SELECTABLE.

CABLES

CAPSULE

12-INCH STRAIGHT WITH ULTRA QUICK-DISCONNECT.

CONNECTOR

SEE TABLE.

CONNECTOR

PJ-327 OR EQUIVALENT.

COLOR

BLACK.

SEE SEPARATE BILL OF MATERIALS

MATING PART. SEE NOTE

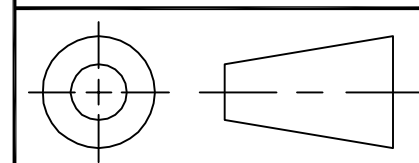
3. THIS IS A 4-WIRE SWITCHCASE-AMPLIFIER WITH A PLANTRONICS ULTRA QUICK-DISCONNECT.

2 SET THE SELECTOR TO THE LOCKING POSITION.

1. IMPRINT THE MODEL NUMBER AND DATE CODE ON THE AMPLIFIER HOUSING PER DWG 13629.

NOTES: (UNLESS OTHERWISE SPECIFIED)

THIRD ANGLE PROJECTION



PLANTRONICS RESTRICTED

This document contains Plantronics, Inc. proprietary data, and is not to be copied, reproduced, used or divulged to unauthorized persons, in whole or in part, without proper authorization in writing from Plantronics. This information is the property of Plantronics, Inc. which reserves all rights to it.

UNLESS OTHERWISE SPECIFIED DIMENSIONS ARE IN: INCHES AND TOLERANCES ARE:		DO NOT SCALE		PLANTRONICS Santa Cruz, Ca.	
DECIMAL	.xx = ± .01 .xxx = ± .005 ANGLE = ± 2' FRACTION = ± 1/16	DRAWN BY	J. BAKER	3/7/97	TITLE
MATERIAL:		CHECKED BY	B. COOPER	3/11/97	MODEL
FINISH:		DEV ENG APPD	RMS	3/12/97	SHS 1892-10,15,25
		MFG APPD			SIZE
		PROD ENG APPD			CAT CODE
					DWG NO.
					REV.
					B
					01
					91892-XX
					1 OF 1
					SHEET
					SCALE 1=1

Special Products Packed-Level Bill of Materials

Model Number: SHS 1892-10,15,25

Part Number: 91892-XX

Revision: B

Date: 01/28/02

Receiver Configuration: NA

Connector: PJ-327

Capsule Type: NA

Configuration: Switchcase

[View Drawing](#) (only available when viewing BOM online in Word format)

ITEM	QTY -10	QTY -15	QTY -25	PLANTRONICS PART NUMBER	DESCRIPTION
1.	1	---	---	100034-10	HEADSET ASSEMBLY
2.	---	1	---	100034-15	HEADSET ASSEMBLY
3.	---	---	1	100034-25	HEADSET ASSEMBLY
4.	1	1	1	25652-01	BOX, PACKING
5.	1	1	1	25686-02	SLEEVE, FOAM
6.	1	1	1	41953-01	USER'S GUIDE
7.	REF	REF	REF	45428-00	PERFORMANCE SPECIFICATION