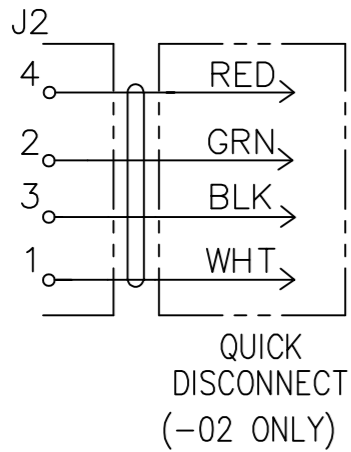


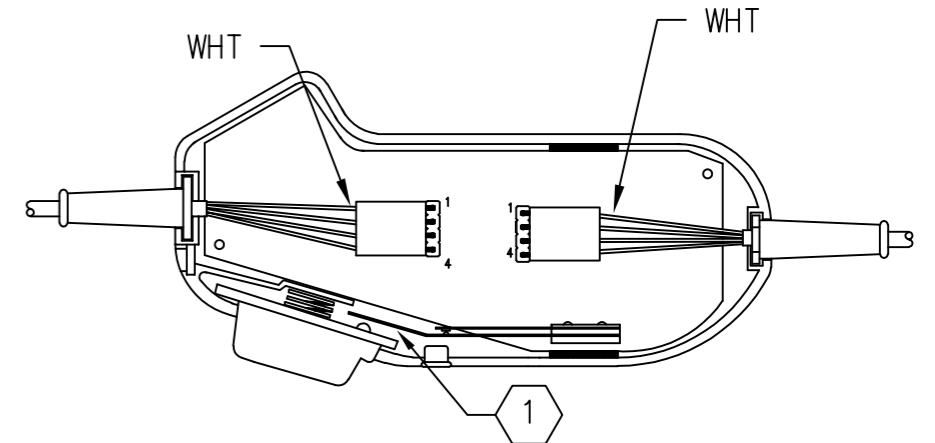
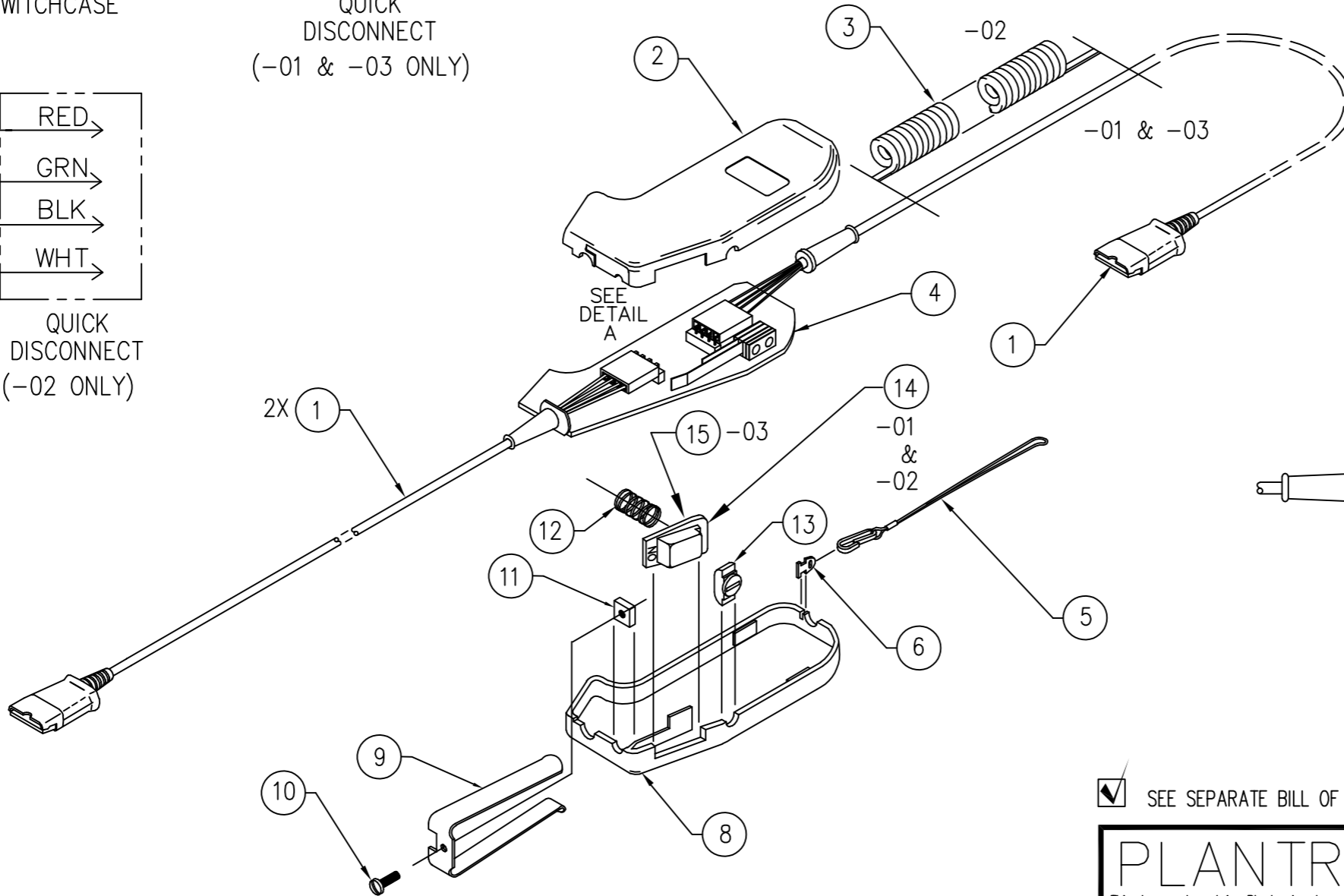
CABLES	
DWG NO.	CABLE STYLE
-01	12-INCH STRAIGHT
-02	10-FT COILED (EXTENDED)
-03	12-INCH STRAIGHT

REVISION					
REV	DESCRIPTION	ECO NO.	DATE	BY	ENGR APP'D
25	ENGINEERING RELEASE	E042372	16-OCT-19	ES	AM
A	PRODUCTION RELEASE	E042583	28-OCT-19	ES	AM
B	CHANGE ITEM 16 TO 101	E045610	18-JUN-0	TN	



QUICK DISCONNECT (-01 & -03 ONLY)

QUICK DISCONNECT (-02 ONLY)



DETAIL A
SCALE: .75=1

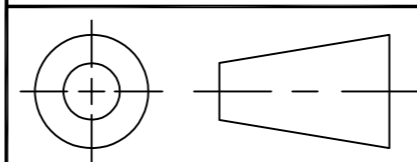
SEE SEPARATE BILL OF MATERIALS MATING PART. SEE NOTE

2. FOR THE -03 AND -04 MODELS, THE RESISTANCE OF THE PTT PATH SHALL BE NOT GREATER THAN 5 OHMS WITH THE PTT BUTTON LOCKED INTO THE ON POSITION BUT NOT HELD MANUALLY. FOR THE -05 MODEL, THE PTT PATH RESISTANCE SHALL BE NOT GREATER THAN 5 OHMS WHILE HOLDING THE BUTTON MANUALLY. THE RESISTANCE OF THE OTHER SIGNAL PATHS SHALL ALSO BE NOT GREATER THAN 5 OHMS.

① ADJUST THE PTT SWITCH PER THE ADJUSTMENT PROCEDURE (ITEM 101).

NOTES: (UNLESS OTHERWISE SPECIFIED)

THIRD ANGLE PROJECTION



PLANTRONICS RESTRICTED

This document contains Plantronics, Inc. proprietary data, and is not to be copied, reproduced, used or divulged to unauthorized persons, in whole or in part, without proper authorization in writing from Plantronics. This information is the property of Plantronics, Inc. which reserves all rights to it.

UNLESS OTHERWISE SPECIFIED DIMENSIONS ARE IN: INCHES AND TOLERANCES ARE: DECIMAL .XX = ± .01 .XXX = ± .005 ANGLE = ± 2° FRACTION = ± 1/16		DO NOT SCALE			
DRAWN BY E. SCHEBER		6-OCT-19			
CHECKED BY A. MANRIQUE		16-OCT-19		TITLE ASSEMBLY, PTT SECURE VOICE	
DEV ENG APPD M. ERBE		16-OCT-19			
MATERIAL:		MFG APPD		SIZE B	CAT CODE 10
FINISH:		PROD ENG APPD		DWG NO. 216068-DWG	REV. B
				SCALE NONE	SHEET 1 OF 1