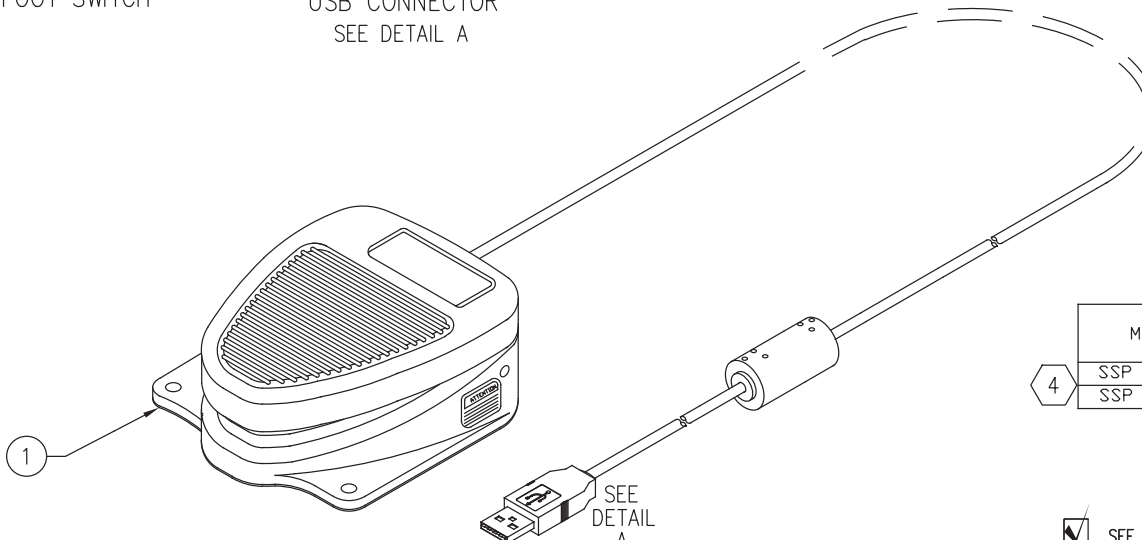


REVISION				
REV	DESCRIPTION	DATE	BY	CHKD
G	ADD GND CONNECTION TO TS LOCK DIA. ITEM 4 WAS PN 69898-04. ADD ITEM 6 PN 13629-00. REVISE NOTE 1.	21-MAY-18	WE	BC
H	REVISE BOM, ITEM 4 FROM 202816-01 TO 85444-02.	21-APR-21	JH	BC

FEATURES

APPLICATIONS	ALLOWS USE OF A FOOT SWITCH IN USB-PTT APPLICATIONS.
CABLE	10-FT STRAIGHT.
FOOT SWITCH DIMENSIONS	4 1/2L X 3 1/2W X 1 3/4H.
CONNECTOR	USB TYPE A
COLOR	BLACK.
WARRANTY	ONE YEAR.



MODEL	PART NUMBER	ORDERING STATUS	USB PROCESSOR	USB PRODUCT IDENTIFICATION (PID)
SSP 2646-01	92646-01	DISCONTINUED	MICRONAS	FAA3
SSP 2646-11	92646-11	ACTIVE	CDNEXANT	FAAB

4 THE -11 MODEL REPLACES THE -01 MODEL.

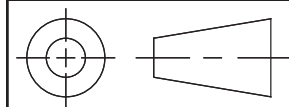
3. THIS FOOT SWITCH IS A USB HUMAN INTERFACE DEVICE (HID) WHICH ENUMERATES AS BUTTON 1 OF A SINGLE-BUTTON GENERIC DESKTOP JOYSTICK.

2. THIS IS A HEAVY DUTY, METAL USB FOOT SWITCH

1. IMPRINT THE MODEL NO. & DATE CODE ON THE LABEL (ITEM 2) PER DWG 13629 (ITEM 6), DETAIL C, AND INSTALL IT ON THE BOTTOM OF THE FOOT SWITCH.

NOTES: (UNLESS OTHERWISE SPECIFIED)

THIRD ANGLE PROJECTION



SEE SEPARATE BILL OF MATERIALS MATING PART. SEE NOTE

PLANTRONICS RESTRICTED

This document contains Plantronics, Inc. proprietary data, and is not to be copied, reproduced, used or divulged to unauthorized persons, in whole or in part, without proper authorization in writing from Plantronics. This information is the property of Plantronics, Inc. which reserves all rights to it.

UNLESS OTHERWISE SPECIFIED DIMENSIONS ARE IN: INCHES AND TOLERANCES ARE: DECIMAL .XX = ± .01 .XXX = ± .005 ANGLE = ± 2° FRACTION = ± 1/16 MATERIAL: FINISH:	DO NOT SCALE DRAWN BY J. BAKER 18-MAR-10 CHECKED BY B. COOPER 18-MAR-10 DEV ENGRG APVD SERGIO ARCE 22-MAR-10 MFG ENGRG APVD PROD ENGRG APVD	<p>plantronics.</p> <p>TITLE MODEL</p> <p>SSP 2646-11</p> <table border="1" style="width: 100%; font-size: x-small;"> <tr> <td>SIZE</td> <td>CAT. CODE</td> <td>DWG NO.</td> <td>REV</td> </tr> <tr> <td>B</td> <td>01</td> <td>92646-11</td> <td>H</td> </tr> </table> <p>SCALE 1 = 1 AND AS NOTED SHEET 1 OF 1</p>	SIZE	CAT. CODE	DWG NO.	REV	B	01	92646-11	H
SIZE	CAT. CODE	DWG NO.	REV							
B	01	92646-11	H							